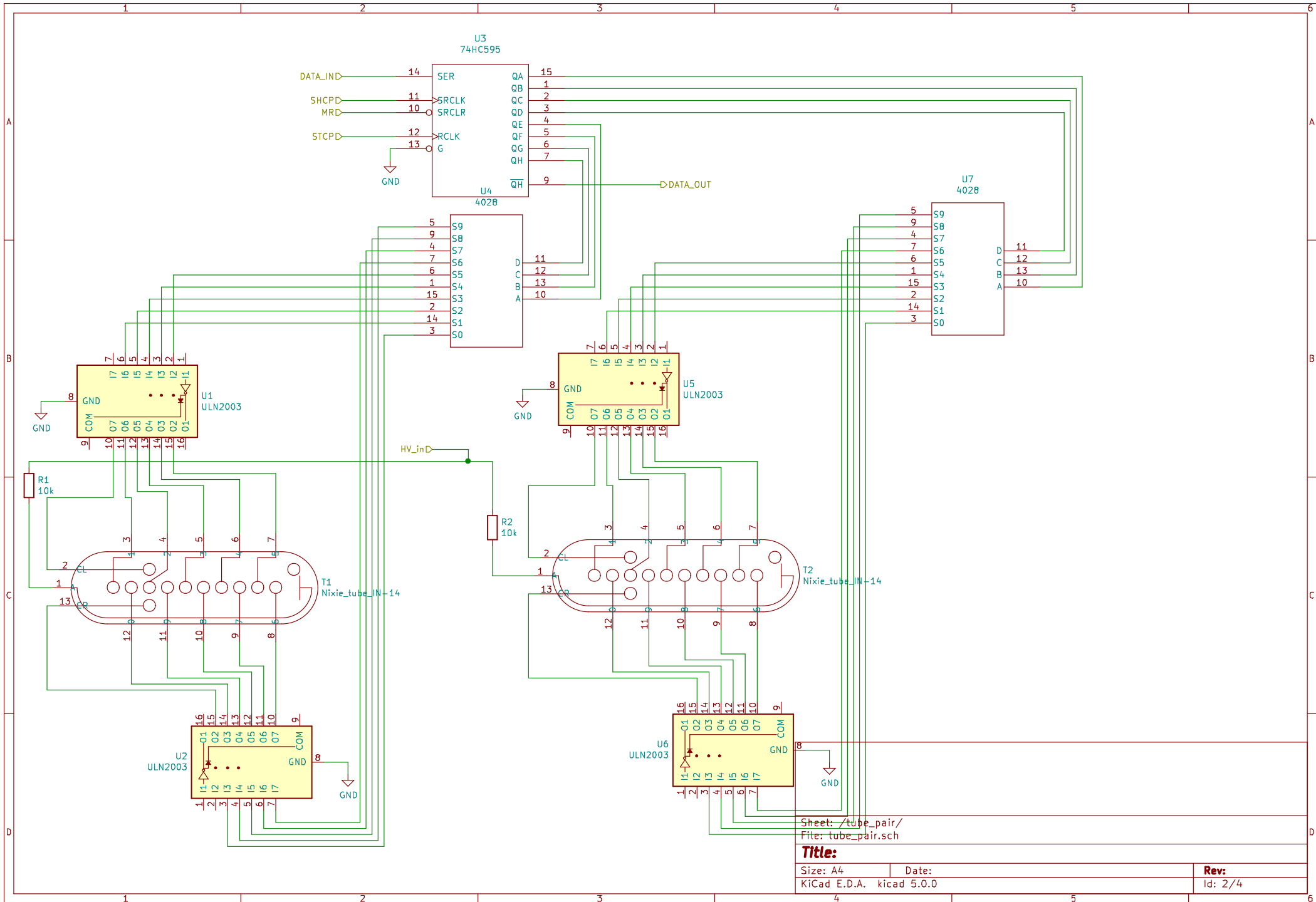
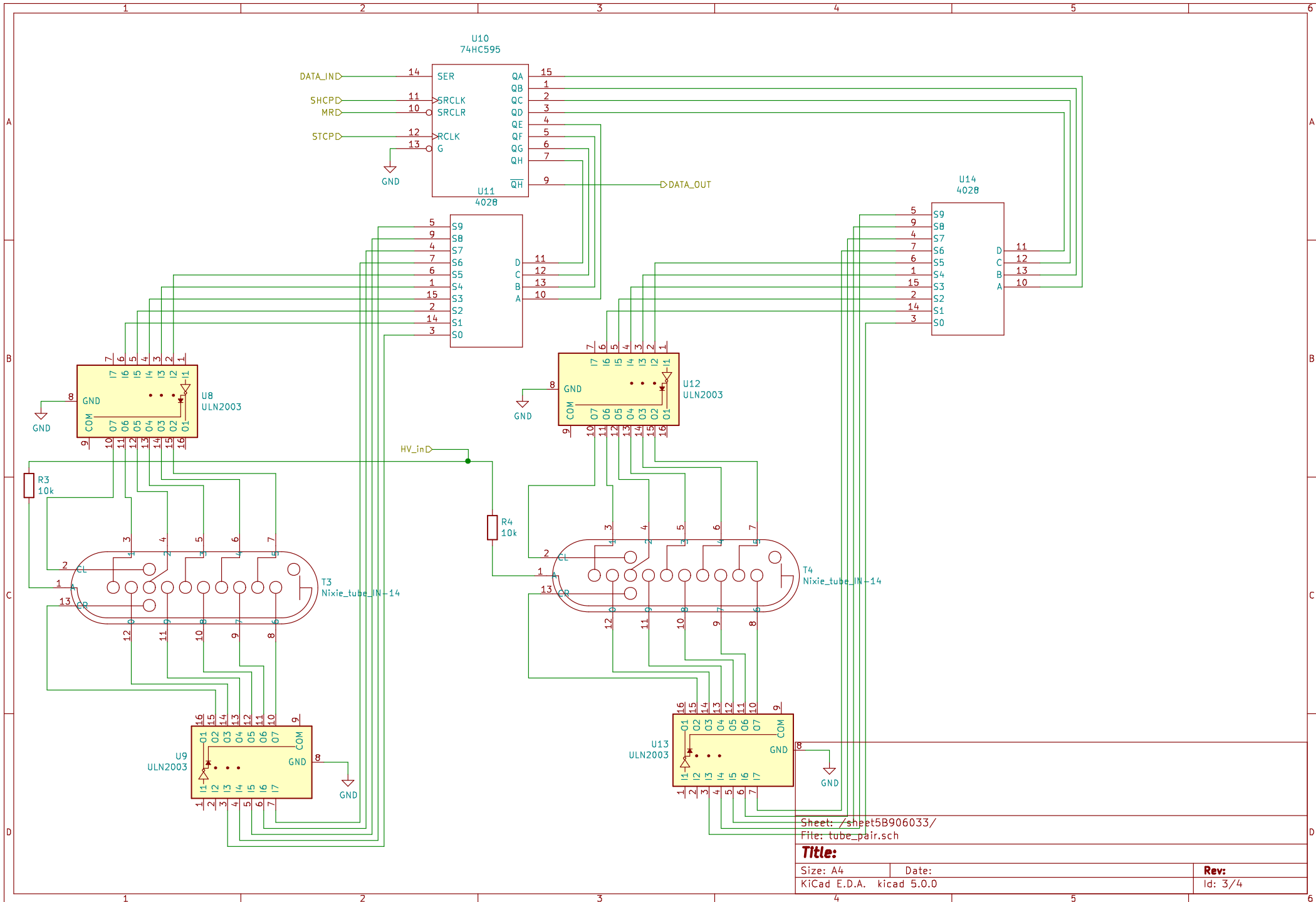


Sheet: /		
File: breadboard_nixie_clock.sch		
Title:		
Size: A4	Date:	Rev:
KiCad E.D.A. kicad 5.0.0		Id: 1/4



Sheet: /tube_pair/
 File: tube_pair.sch

Title:		Rev:	
Size: A4	Date:		
KiCad E.D.A. kicad 5.0.0		Id: 2/4	



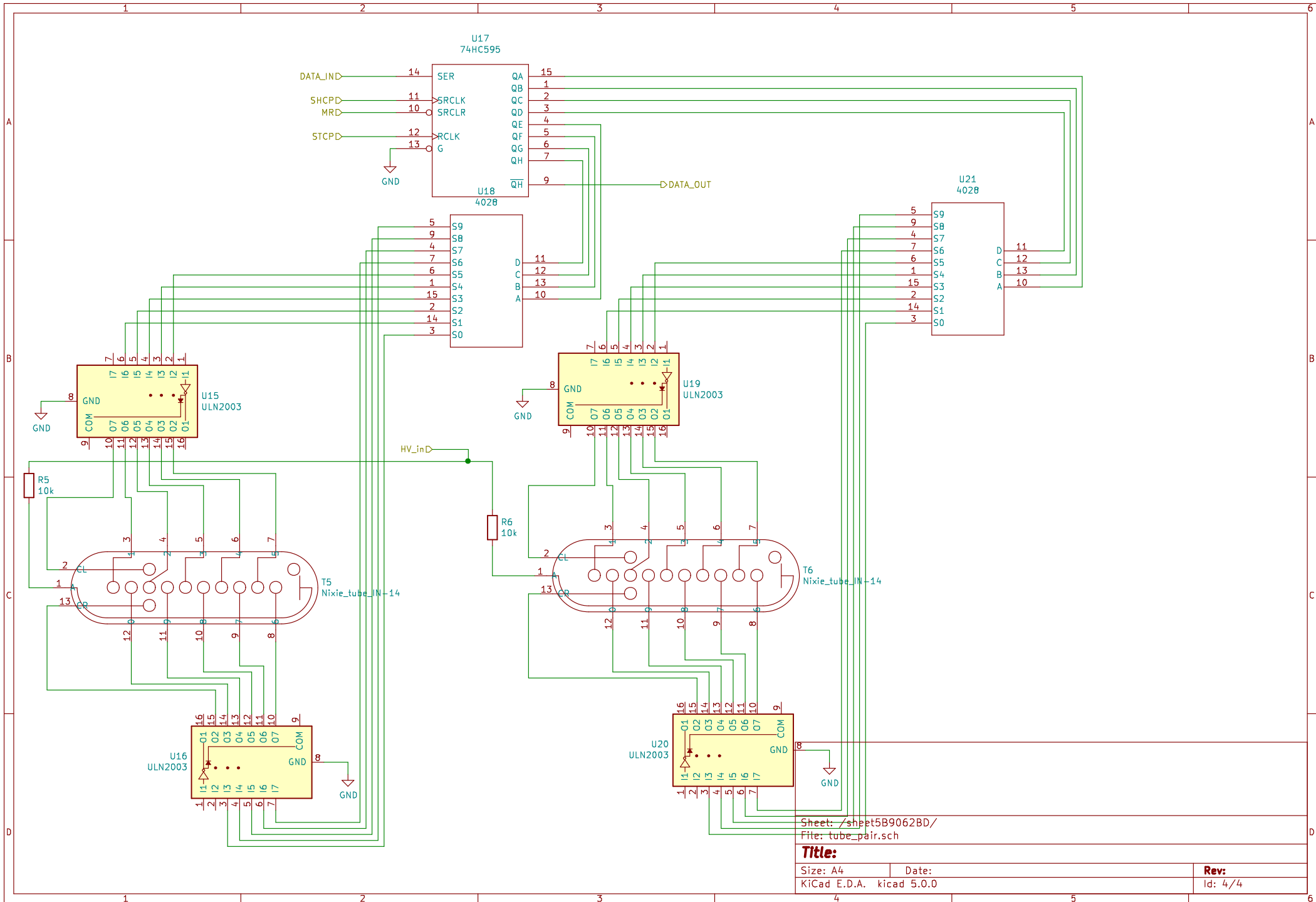
Sheet: /sheet5B906033/
 File: tube_pair.sch

Title:

Size: A4
 KiCad E.D.A. kicad 5.0.0

Date:

Rev:
 Id: 3/4



Sheet: /sheet5B9062BD/
 File: tube_pair.sch

Title:

Size: A4
 KiCad E.D.A. kicad 5.0.0

Date:

Rev:

Id: 4/4